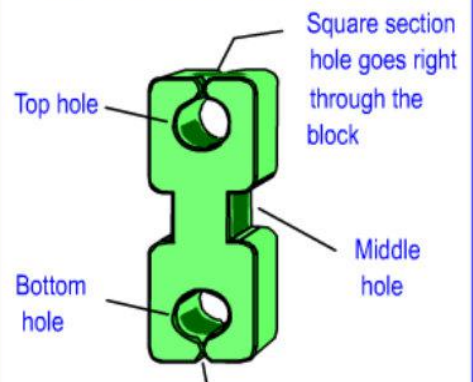


Single Multiblock Connector

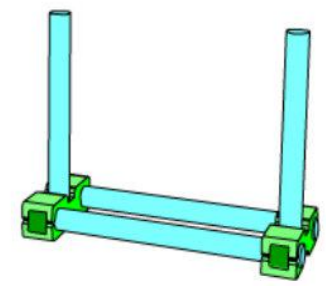
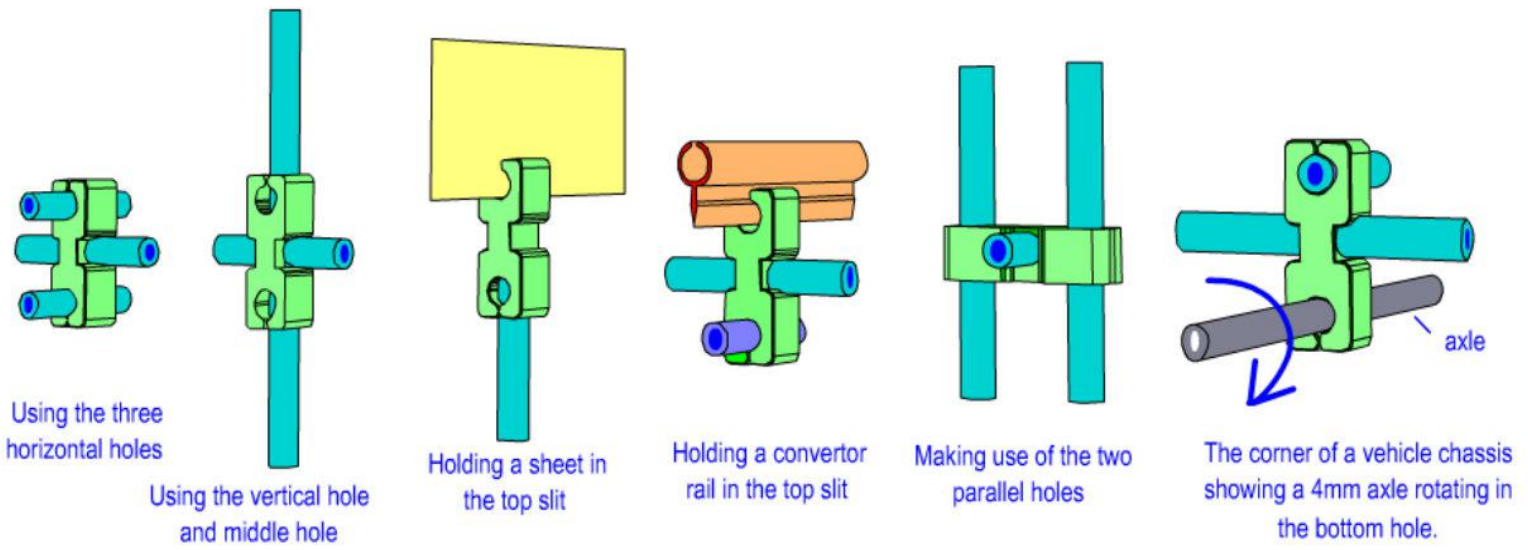
These multiblock-connectors have extra holes to enable all sorts of constructions. Very useful when you want to add mechanisms and electronic circuits etc.



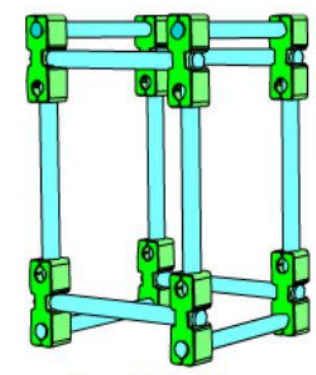
Cutting blocks off a strip
Snips with serrated blades are the best tool to use. Sharp scissors are fairly good.

TIP - When you cut parts off also TRIM the edges.

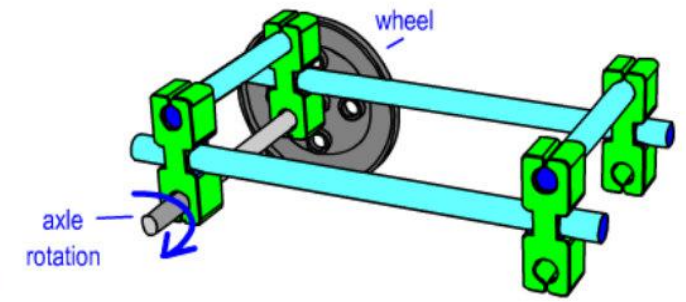
Ways of Using the Single 'Multiblock' Connectors



This simple idea can be used as a stand



A useful rigid frame



A partially made vehicle chassis. One axle is shown with a wheel added.