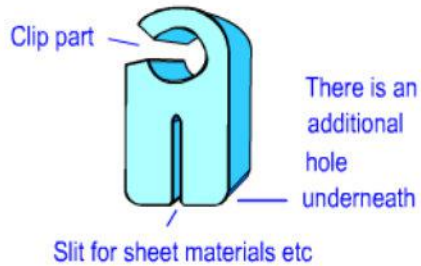


## Clip-Connector

Single clip-connectors are used rather like a hand - They grab onto 5mm rods. 4mm axles you insert will turn freely in the hole.

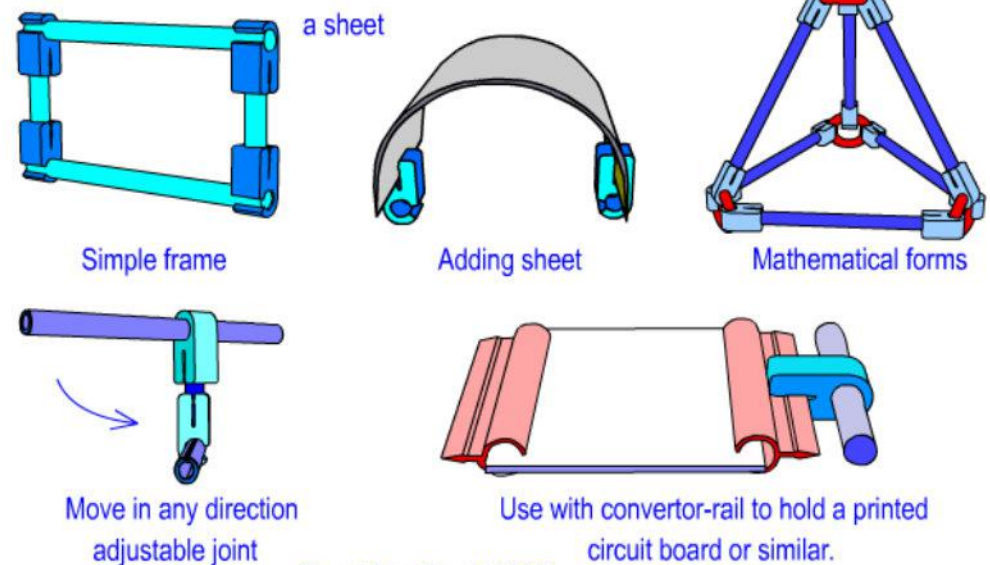
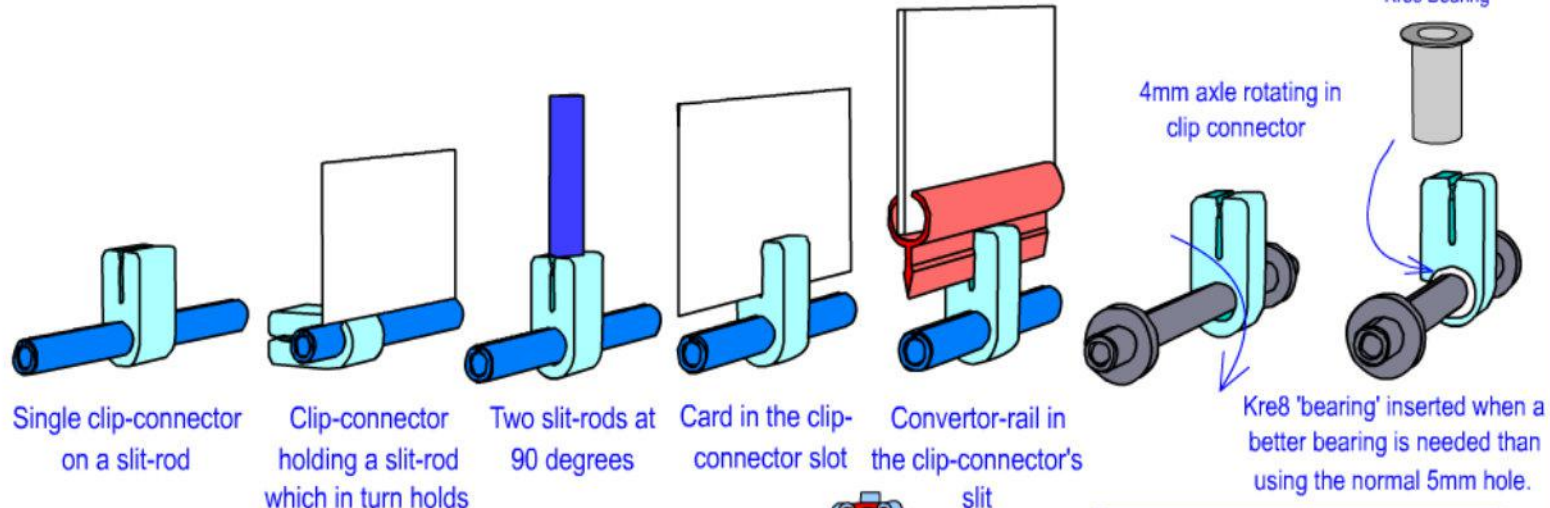


Clip-connectors are supplied in blocks of four so you will need to cut the blocks you need using 'snips' with a serrated blade. (Scissors are only suitable if very sharp).



*TIP - When you cut parts off also TRIM the edges.*

## Ways of Using Single Clip-Connectors



## Ways of Joining Clip-Connectors onto Slit-Rods

